



# Tank Washing Machines

globally focused on cleaner solutions

Tank Washing is a vital part of a ship's operations and it is essential that the equipment on-board is robust, reliable and fit for purpose. Developing and manufacturing Tank Washing Equipment for over 60 years, Victor Marine has a wealth of knowledge and experience in providing tank cleaning solutions suitable for VLCCs to smaller product tankers and chemical carriers.

Victor Marine offers a range of portable and fixed tank cleaning machines with various styles of down tubes and hoses available. All machines are made in stainless steel to ensure durability and longevity. The internal gears and components are manufactured from high quality materials which ensure low wear and can operate under high pressures within a wide range of temperatures.

## Key Features

- Wash pattern is of orbital progressive intensity to meet IMO Annex II pre wash requirement standard
- Nozzle sizes from 7 mm to 18 mm
- Offered with either 'sealed for life' or media lubricated drive to ensure no cargo contamination
- Automatic 'slip-clutch' to prevent accidental damage in use
- Simple to service with the use of high performance long life gears
- Alternative flange (up to 180mm Diameter) and fixings available
- Can be certified by Class Societies worldwide



Fixed Stainless Steel VP Major

Designed,  
Assembled &  
Tested in  
the UK

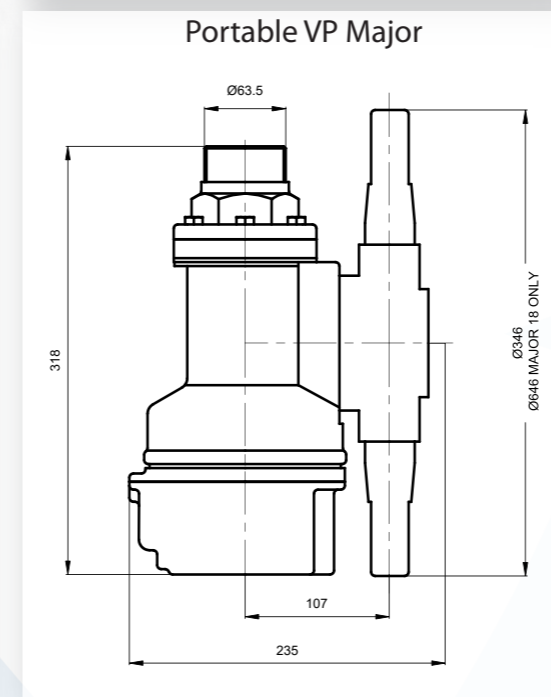
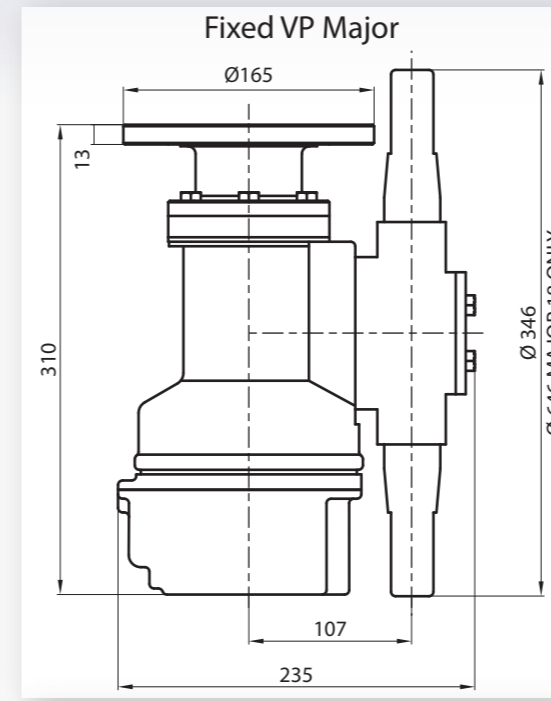
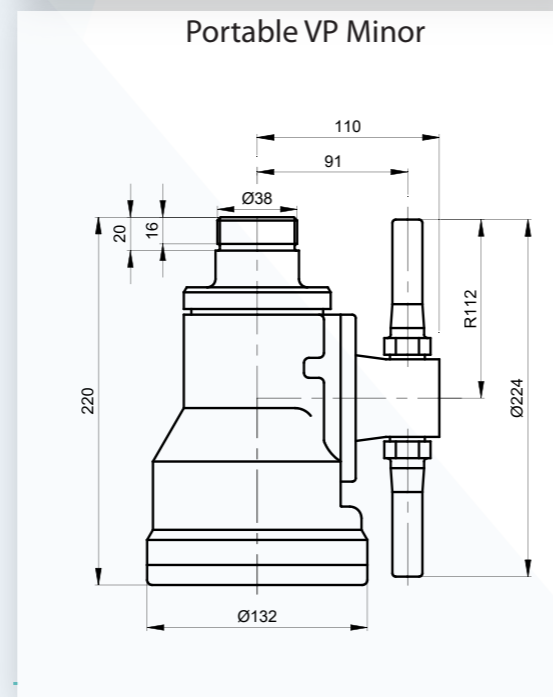
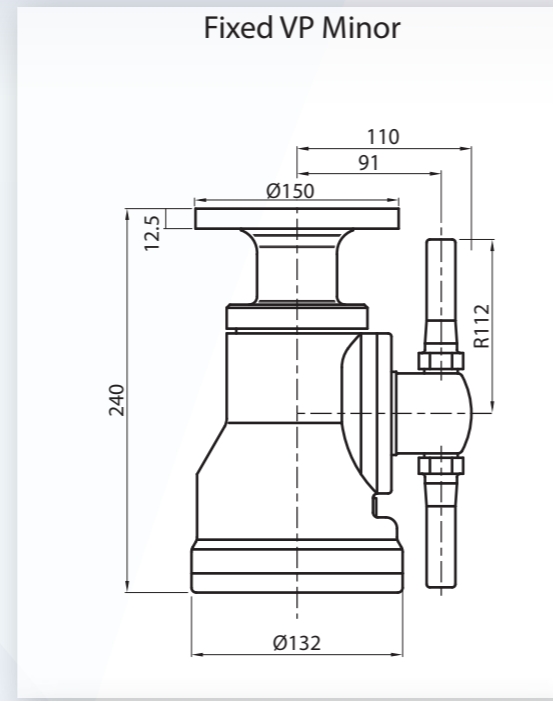
Type Approvals by:



## Stainless Steel VP Minor

The VP Minor is a pre-programmed twin nozzle tank washing machine manufactured from 316 stainless steel. This unit is suitable for use on both small and medium crude oil, chemical and product tankers and can be supplied as either fixed or portable units.

The VP Minor is also available as a 'sealed for life' machine which has been specifically designed to operate with aggressive / abrasive types of drive media. The 'sealed for life machines' are also the perfect choice when considering the cleaning of mud / slop tanks; this is due to the nature of the sealed gearbox design.



## Stainless Steel VP Major

The VP Major is a pre-programmed twin nozzle tank washing machine manufactured from 316 stainless steel. This unit is suitable for use on both medium and large crude oil, chemical and product tankers and can be supplied as either fixed or portable units.

<b>Wash Pattern</b>	Pre-programmable Rotary 360°
<b>Jet Length</b>	Maximum 17 mtrs (56 ft) Typical 9-16 mtrs (30-52 ft)
<b>Operating Pressure</b>	Maximum 12 kg/cm <sup>2</sup> (170 psi) Typical 6-10 kg/cm <sup>2</sup> (85-142 psi)
<b>Flow Capacity</b>	Minimum 7 m <sup>3</sup> /hr (31 US gal/min) Maximum 19 m <sup>3</sup> /hr (84 US gal/min)
<b>Wash Cycle</b>	Time: Typical Type: Variable on supply pressure (see table below) Between 16-30 mins 4 cycles for complete wash
<b>Maximum Operating Temperature</b>	95°C (203°F)
<b>Installation</b>	Min deck opening Fixed Flanged Ø 200mm (8.0 inches) Std DIN 40 NP10 Portable (Ø 150mm with 4x14mm holes on a 110 PCD) 1½" BSP Male thread
<b>Weight</b>	Fixed Flanged 10.2 kgs (22.5 lbs) Portable 8.2 kgs (18.1 lbs)

Pre-programmable Rotary 360°	<b>Wash Pattern</b>
26 mtrs (85 ft) 19-25 mtrs (62-82 ft)	<b>Jet Length</b> Maximum Typical
12 kg/cm <sup>2</sup> (170 psi) 8-10 kg/cm <sup>2</sup> (114-142 psi)	<b>Operating Pressure</b> Maximum Typical
23 m <sup>3</sup> /hr (101 US gal/min) 70 m <sup>3</sup> /hr (308 US gal/min)	<b>Flow Capacity</b> Minimum Maximum
Variable supply pressure (see table below) Between 34-50 mins 4 cycles for complete wash	<b>Wash Cycle</b> Time Typical Type
95°C (203°F)	<b>Maximum Operating Temperature</b>
Ø 245mm (9.6 inches) Std DIN 50 NP16 (Ø 165mm with 4x18mm holes on a 125 PCD) 2½" ANSI Male thread	<b>Installation</b> Min deck opening Fixed flange Portable
21 kgs (46 lbs) 19.5 kgs (43 lbs)	<b>Weight</b> Fixed flanged Portable

Supply Pressure (kg/cm <sup>2</sup> )	VP Minor Nozzle Diameter														
	2x7mm			2x8mm			2x9mm			2x10mm			2x11mm		
	Flow m <sup>3</sup> /hr	Jet Length	Cycle Time	Flow m <sup>3</sup> /hr	Jet Length	Cycle Time	Flow m <sup>3</sup> /hr	Jet Length	Cycle Time	Flow m <sup>3</sup> /hr	Jet Length	Cycle Time	Flow m <sup>3</sup> /hr	Jet Length	Cycle Time
6	7.3	9.1	27	10	9.5	26	10.4	10.6	27	13	11.6	26	15	14	24
8	8	10.5	21	11.3	10.8	20	11.6	11.3	23	14.2	13	22	16.2	15	20
10	8.5	11	18.5	12.2	12	18	12.6	12.5	19	16	14.8	20	17.7	16	18
12	9.2	11.6	18	13	12.5	17	13.73	13	16	17.6	15.5	18	19.3	17	17

Supply Pressure (kg/cm <sup>2</sup> )	VP Major Nozzle Diameter											
	2x12mm			2x14mm			2x16mm			2x18mm (Fixed Only)		
	Flow m <sup>3</sup> /hr	Jet Length	Cycle Time	Flow m <sup>3</sup> /hr	Jet Length	Cycle Time	Flow m <sup>3</sup> /hr	Jet Length	Cycle Time	Flow m <sup>3</sup> /hr	Jet Length	Cycle Time
6												
8	32	19	39	42	20	43	50	22	42	57	23	49
10	35	20.5	36	45	23	39	55	24	39	64	25	46
12	40	21.5	34	51	24	37	61	25	37	70	26	44



Mounted Tank Washing Machine



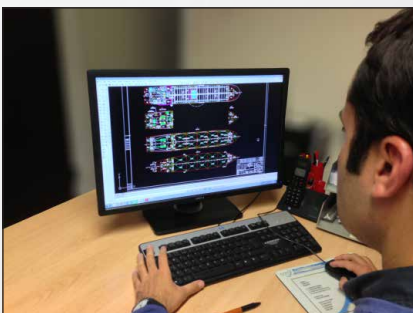
Fixed Stainless Steel VP Minor



Tank Washing Machine, Hose and Hose Saddle

## Design Service

Victor Marine can design the ideal system by carrying out a Shadow Diagram Study which will confirm the number, position and type of machine, enabling us to provide the optimum tank cleaning solution.



# Tank Washing Ancillaries

## Tank Washing Hose (Black, VP Logo)

Neoprene with styrene butadiene rubber (SBR) liner reinforcement with multiple rayon braids.

Electrical continuity is ensured by twin braided Stainless Steel wires. All hoses are fully tested prior to despatch.

Available in 38mm and 50mm nominal bore and a maximum length of 50 metres.



## Connections and Spanners

We stock an extensive range of hose connections, hose couplings, hose spanners and deck valve adaptors, mostly with BSP threads. Hose spanners are manufactured from a non-sparking alloy for complete safety.



## VP Tripod

Marine grade aluminium tripod to aid in the lifting of tank washing machines in and out of deck openings. Sizes available on request.



## Hose Saddle

For easy handling and longevity of tank cleaning hoses, this lightweight, epoxy coated aluminium alloy hose saddle comprises of a saddle, deck plate, hose guide and positioning clamp.

Optionally, there is a choice of base plate sizes and materials - standard size 318mm.

Weight: 7kg



## VP Watergun

A powerful water gun with effective jet lengths of up to 25m with a low recoil for rapid cleaning of decks and bulk cargo holds. Supplied complete with a tripod stand, the lightweight design is ideal for one-man operation.



## VP Major / Minor Spares Kits

Supplied as basic or standard kits. The kits include all major items required to overhaul the machines.

Bush Carbon; Bush Flanged; Bush PTFE; Input Worm; Thrust Plate; Thrust Collar; Thrust Bearing; Stream Straightener; Drive Pins; Wormwheel; Wormshaft; Output shaft; Nozzle. Any other spares can be sold as individual items upon request.



VM/TW/OCT19

Victor Marine Ltd  
Unit 7, Waterloo Court  
Markham Vale  
Markham Lane  
Chesterfield, UK  
S44 5HN

The manufacturer reserves the right to alter the specification and data to incorporate improvements in design.  
© Copyright Victor Marine Ltd



This brochure is made from 100% recycled paper



Oily Water Separators



Gas Freeing Fans



Sewage Treatment Plants

Tel +44 (0) 1708 899 780  
Fax +44 (0) 1708 890 599  
Web [www.victormarine.com](http://www.victormarine.com)  
Email [info@victormarine.com](mailto:info@victormarine.com)  
[sales@victormarine.com](mailto:sales@victormarine.com)

Agent's  
Details

