

Oily Water Separator VM3000



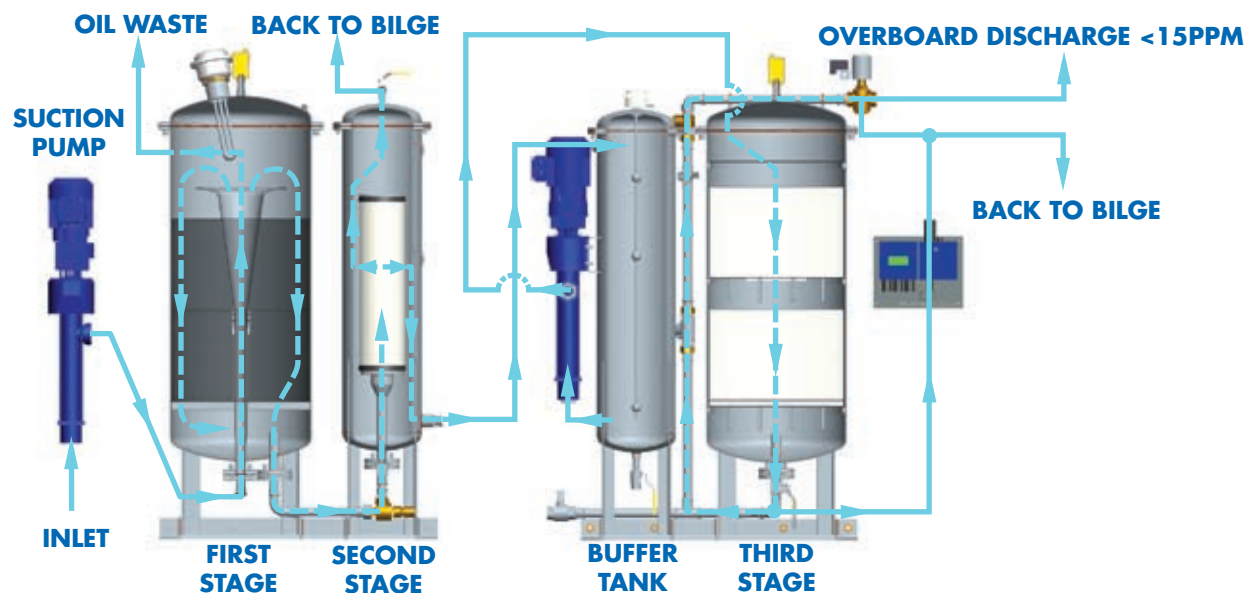
The Victor MiniSep™ - VM Series is a bilge oily water separator that is specifically engineered for the marine environment. Using Victor Marine's 80 years of experience in providing solutions to bilge water treatment, the company has incorporated the latest technology to ensure that the oily water separator complies with the latest IMO regulation MEPC 107(49) introduced in January 2005.

The VM Series is designed to ensure that the best separation of oil and water is possible whilst maximising the performance of its consumable items. The VM Series is a four vessels unit mounted on a modular skid constructed using 316SS with individual suction and discharge pumps which can maintain water discharge of under 1ppm oil content as proving during the IMO tests completed by BV & USCG. To ensure this high quality separation, Victor Marine's VM Series uses a distinctive three stage separation process which includes hydrophobic high viscosity removal system (Hi-VOR system), an oleophilic coalescing filter element and an adsorption granular media polishing unit (AGM filtration).

A 15ppm oil content monitor complete with diverter valve set is provided to ensure the quality of water meets the IMO regulations and avoids any illegal discharges overboard.

With no high speed moving parts, delicate membranes, hazardous chemicals or cleaning cycles the VM is both easy to install and operate for both the shipyard and the ship operators. The AGM granular media has been refined to absorb over 60% of its weight in oil contaminants (compared to approx 15% in activated carbon) which increases the time that the consumables have to be replaced, minimising costs and maximising uptime. With Victor Marine's in-house engineering and testing facilities they can advise customers to select the best solution for their vessels. The VM Series can be supplied with a range of certificates and process options. Victor Marine maintains a worldwide network of agents who can provide our customers a comprehensive after-sales service of technical support, installation, commissioning, servicing and spares.

Separation Process

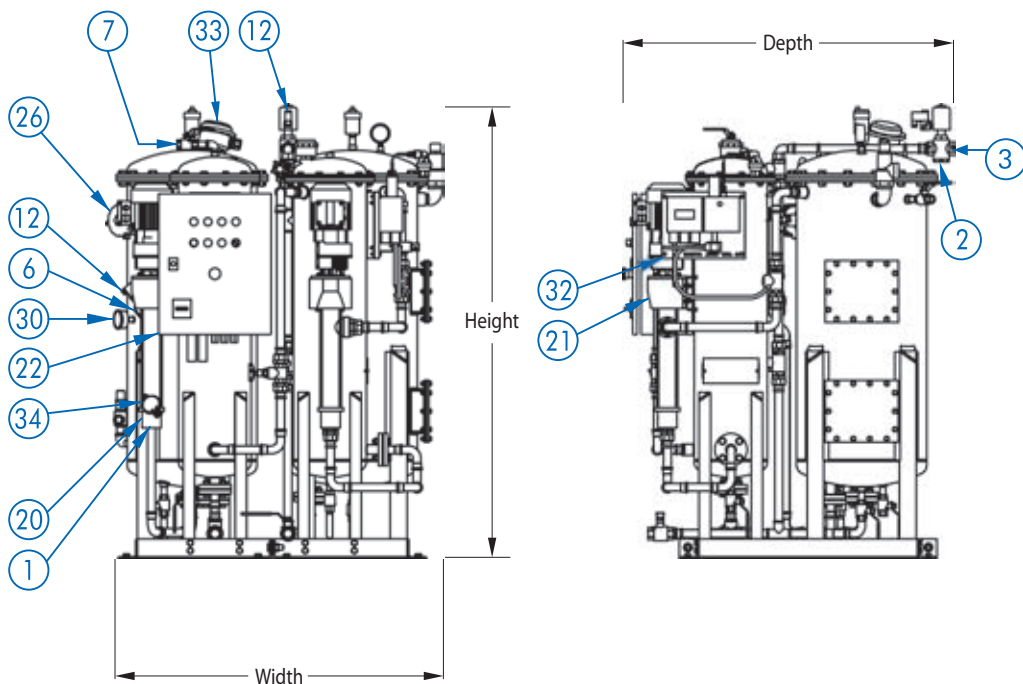


VM Series Data

Model No.	Capacity		Dimensions (mm)			Weight (Kg)		Current Draw (amps)	Primary Fluid Connections				Air Connections
	m ³ /day	US gal/hr	Width	Depth	Height	Dry	Wet		Inlet suction	Overboard discharge	Back to bilge	Recovered oil	
VM0500	12	132	1204	1190	1615	450	900	2.1	1 1/4" bsp	1" bsp	1" bsp	1" bsp	1/4" bsp
VM1000	24	246	1204	1190	1615	450	900	2.3	1 1/4" bsp	1" bsp	1" bsp	1" bsp	1/4" bsp
VM2000	48	528	1204	1190	1615	450	900	2.5	1 1/4" bsp	1" bsp	1" bsp	1" bsp	1/4" bsp
VM3000	75	826	1492	1588	1701	715	1515	3.4	40mm PN16 flange	1 1/2" bsp	1 1/2" bsp	1 1/2" bsp	1/4" bsp
VM5000	100	1101	1492	1588	1701	715	1515	3.6	40mm PN16 flange	1 1/2" bsp	1 1/2" bsp	1 1/2" bsp	1/4" bsp

NOTE 1: Standard arrangement shown. Contact Victor Marine for modular options.

NOTE 2: A heater requires an additional 2.5 amps current draw.



- ① INLET SUCTION CONNECTION
- ② OVERBOARD DISCHARGE CONNECTION
- ③ BACK TO BILGE CONNECTION
- ⑥ RECOVERED OIL CONNECTION
- ⑦ BACK TO BILGE OILY WATER CONNECTION
- ⑫ AIR CONNECTION
- ⑳ SUCTION PUMP
- ㉑ DISCHARGE PUMP
- ㉒ CONTROL PANEL
- ㉔ OIL DETECTION PROBE
- ㉕ OIL CONTENT MONITOR
- ㉖ HEATER
- ㉗ DRY RUNNING PROTECTION SENSOR

Operating Temperature

Minimum: 10°C (50°F)
 Optimum: 30°C (86°F)
 Maximum: 55°C (131°F)

Operating Temperature

Normal: 1.38 bar (20psi)
 Maximum: 3.45 bar (50psi)

Air Supply

Required Pressure: 5-7 bar (75-100psi)

Pump Performance

Maximum Suction: 6 metres (20ft)
 Maximum Discharge: 30 metres (98ft)

IMO Testes Parameters

Maximum Oil Flow: 100%
 Maximum Oil Density: 0.992 s.g. at 15°C
 Maximum Oil Viscosity: RMG 35
 Maximum Emulsions: 3000ppm

Type Approval & Certification

IMO MEPC 107(49): BV & USCG



The manufacturers reserve the right to alter the specification and data to incorporate improvements in design. Certified drawings will be issued on request.

© All details copyright Victor Marine Ltd, May 2012

Victor Marine Limited

Eurocourt, Cosgrove Road, West Thurrock, Essex, RM20 3EE United Kingdom
 E-mail : sales@victormarine.com Tel: +44 (0) 1708 899780
 Website : www.victormarine.com Fax: +44 (0) 1708 890599